



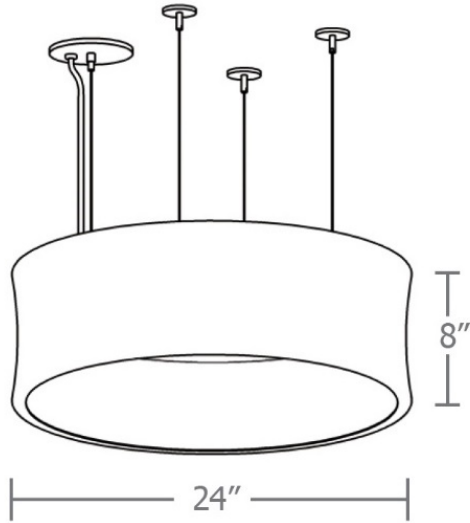
slikk™ 5-slider

your lighting rep has recommended the **slikk™** pendant for your project  
Let's take a quick look:

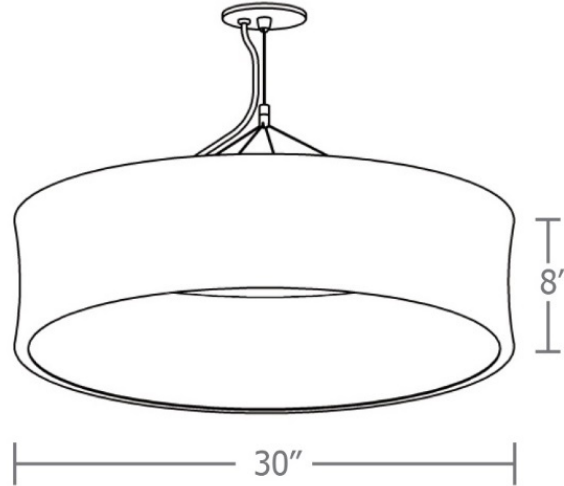


## sizes and lumens

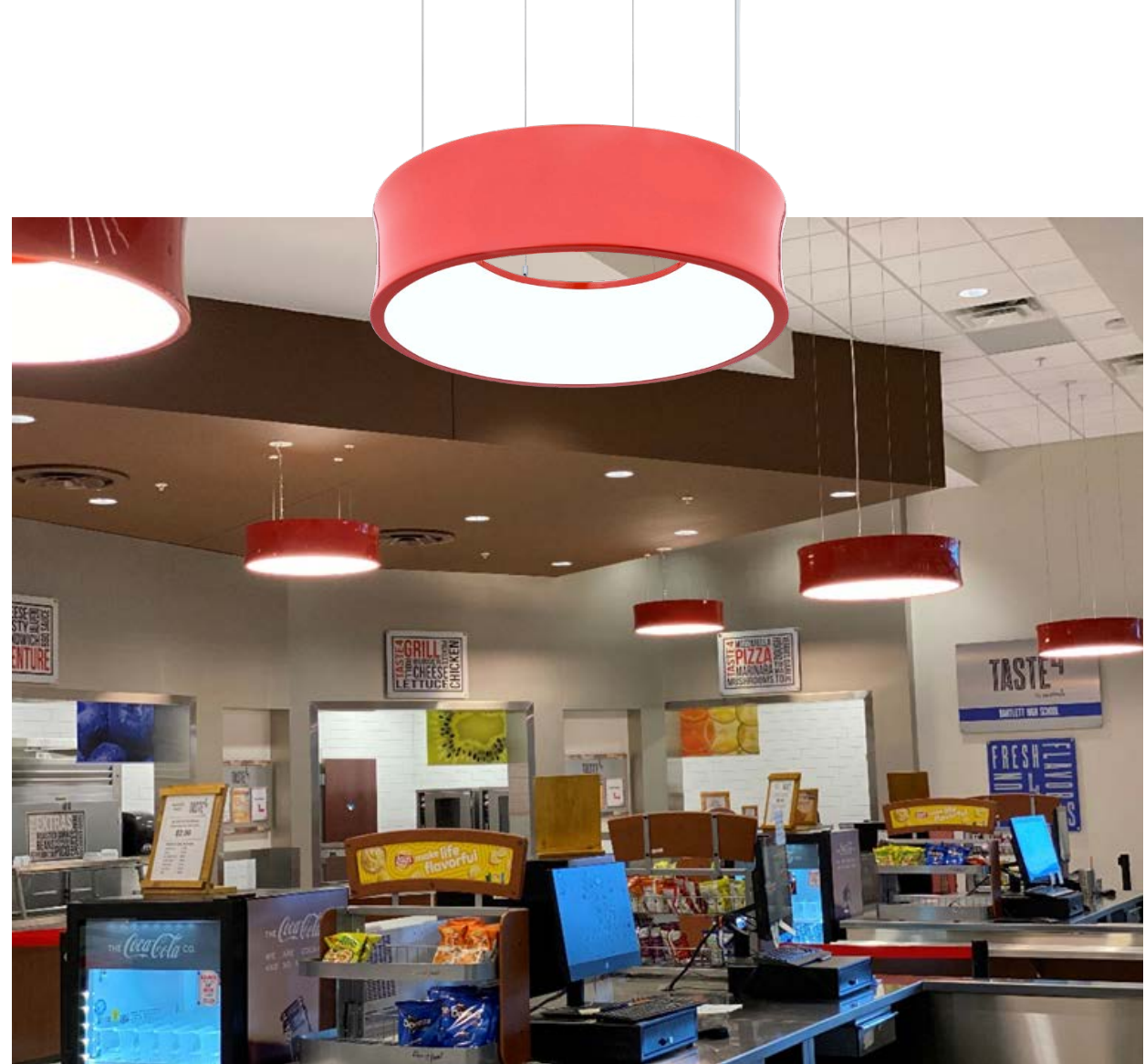
**P6224**



**P6230**



- P6224 (24") / 2633 – 5190 lm
- P6230 (30") / 3950 – 6759 lm





# construction

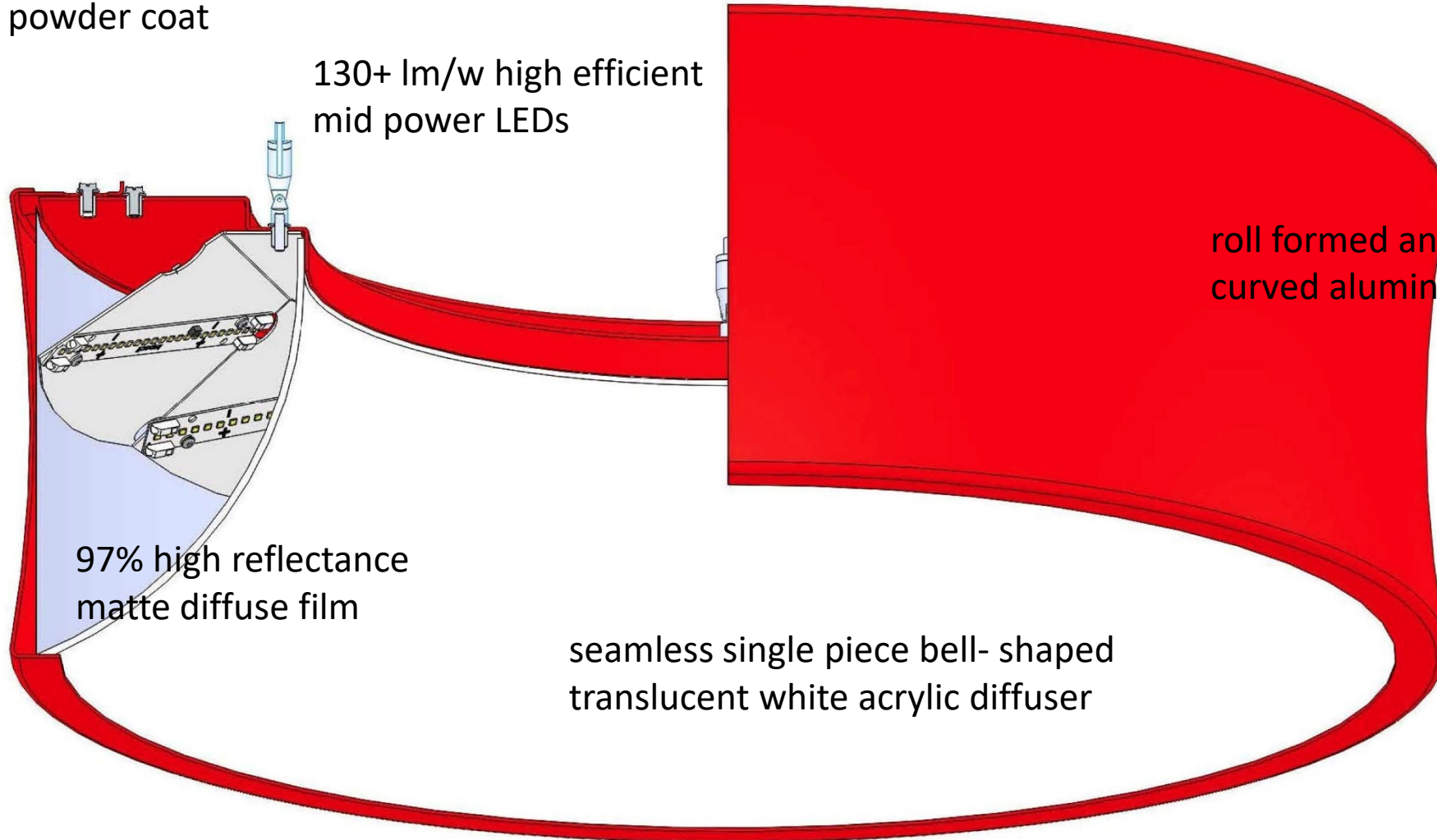
integral programmable drivers, field maintainable, universal input (120-277v), 0-10v controllable to 1% dimming.

21 standard powder coat paint finishes + custom RAL colors

95% high reflectance matte white powder coat reflector

130+ lm/w high efficient mid power LEDs

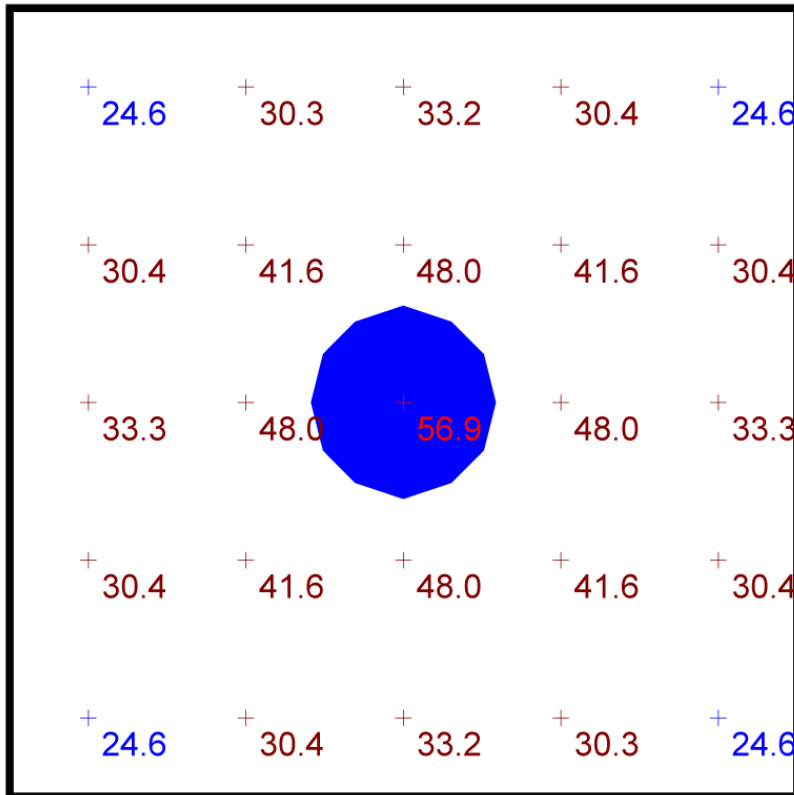
roll formed and spun hour-glass curved aluminum housing



# performance

## Statistics

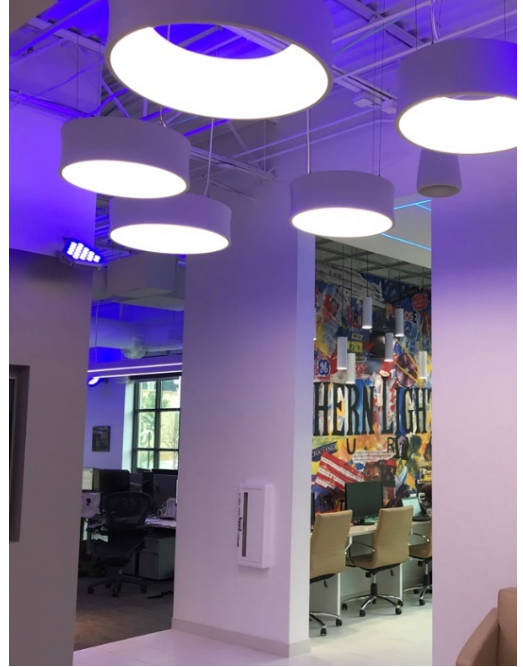
Description	Symbol	Avg	Max	Min	Max/Min	Avg/Min
slikk	+	35.6 fc	56.9 fc	24.6 fc	2.3:1	1.4:1



Plan View  
Scale - 1" = 2ft

- 10' x 10' x 10'H space
- 80/50/20 reflectances
- bottom of fixture at 8' aff
- FC readings at 2.5' aff
- layout conducted using P6230 HI lumen package (6759 delivered lumens)





[www.impactltg.com](http://www.impactltg.com)

- spec sheet and color chart
- photometric files and BIM models
- built to order in Saint Louis, MO, USA
- 4-week lead time

slikk™ 5-slider

